

CRANE « R 80 SEL »

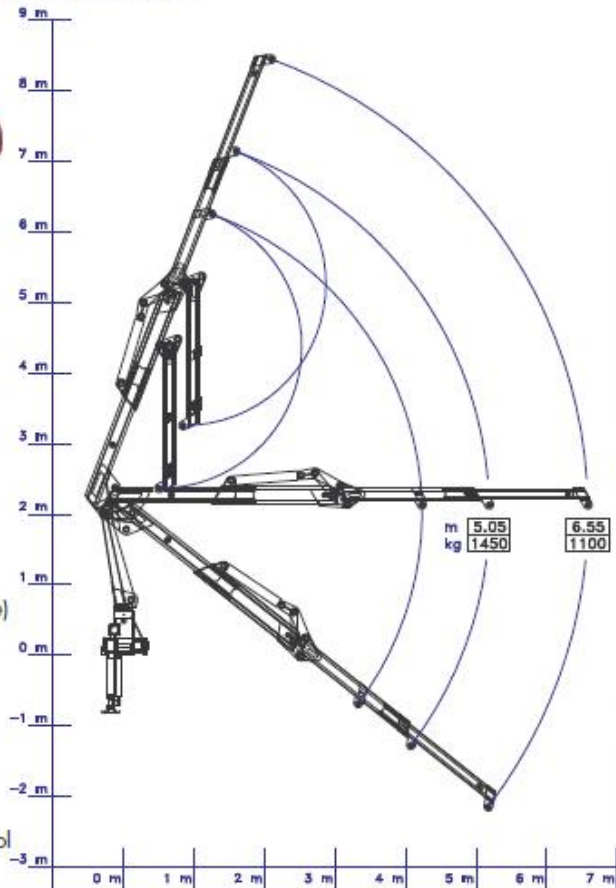


Standard

Lifting moment – 8 t/m
Hydraulic outreach – 6,55 m
Jib with hydraulic extension
Ground 3 element flow control
Top seat controls with one additional function
360° single rack rotation
Hydraulic stabilizers with manual extension
Access ladder
Painting in orange RAL 2002 (or other out of choice)
Construction according to Machine Directives
98/37/CE, 98/336/CE and DIN 15018
Approx. weight – kg 1.900

Options:

Second additional function for rotator
Hydraulic stabilizer with hydraulic extension
Electro-hydraulic proportional DANFOSS-flow control
with proportional radio control
Seat control with cross levers and pedals
Glass container handling device
Oil cooling system
Various lifting disposals for different kinds of use



SK

Zdvihový moment: 8tnm

Hydraulický dosah: 6,55 m

Otočný uhol: 360°

Hydraulický stabilizátor s manuálnym výsuvom

Hmotnosť: cca 1900 kg

Prídavná funkcia pre rotátor

Systém pre ochladzovanie oleja

Variabilné zdvižné dispozície pre rôzne druhy použitia