

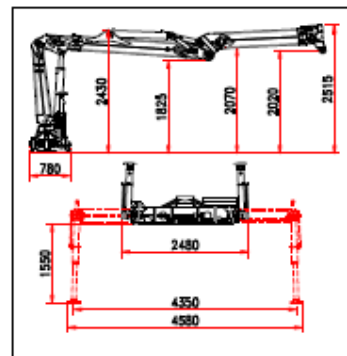
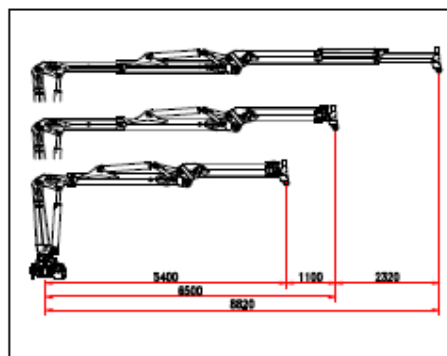
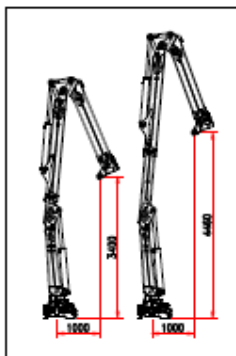
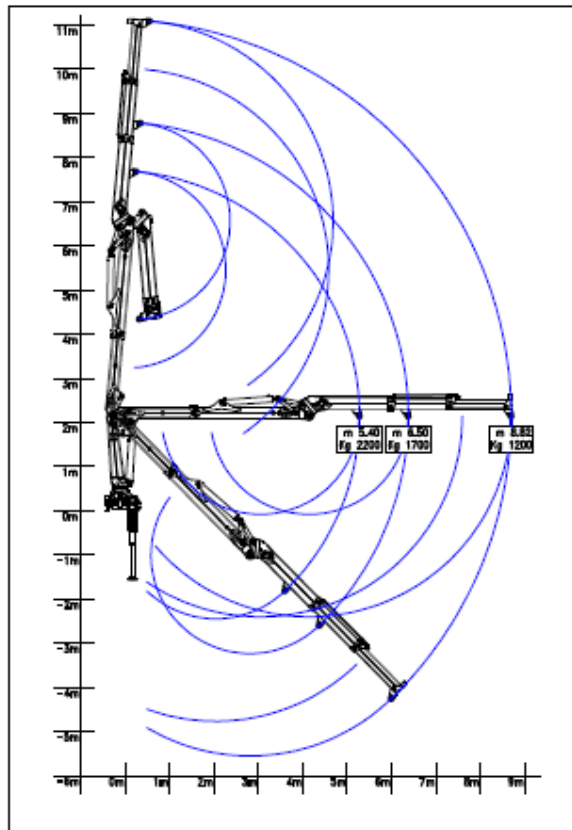
## CRANE « R 130 S3L »

### NON FOLDABLE

- Class of calculation H1B4
- Lifting moment = kNm 130
- Hydraulic outreach = 8,82 m
- First arm with standard hydraulic extension
- Jib with two hydraulic extension with integrated fluid transmission system inside jib
- Compensated proportional flow control
- Top seat control with two additional functions at the jib extension
- Stabilizers ground bilateral controls with extension and 180° hydraulic rotation
- Crane rotation 425° with double rack
- Construction to Machinery Directives 2006/42/CE+UNI EN 12.999
- Basic crane weight\*: 2.530 kg  
 \* The weight is indicative and referred to the basic crane without options or, accessories, protection covers and ancillary equipments (grab, clamp, glass handling device)

### Options:

- Proportional electro-hydraulic flow control with SCANRECO radio control
- Lateral top seat control with joystick and pedals
- Man standing platform with crane operative restricted area
- Ground hoisting control
- Glass container handling device
- Oil cooling system
- Top seat access ladder
- Working lights (top seat and jib light)
- Hour counter
- Dry seat foldable shelter



### SK

Zdvihový moment: 130 knm

Hydraulický dosah: 8,82 m

Otočný uhol: 425°

Hmotnosť: cca 2530 kg

Stabilizátory s otočným uhlom 180°

Radio-ovládanie

Systém pre ochladzovanie oleja

Časovač

Pracovné osvetlenie