

CRANE « R 120 SE »

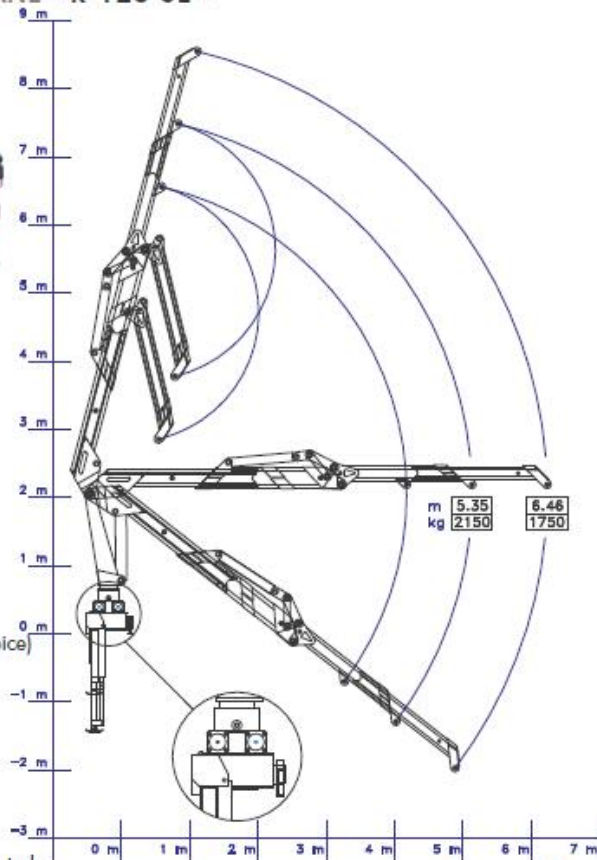


**Standard**

Lifting moment – 12 t/m  
Hydraulic outreach – 6,46 m  
Jib with hydraulic extension  
Ground 3 element flow control  
Top seat controls with one additional function  
360° double rack rotation  
Hydraulic stabilizers with manual extension  
Access ladder  
Painting in orange RAL 2002 (or other out of choice)  
Construction according to Machinery Directives  
98/37/CE, 98/336/CE and DIN 15018  
Approx. weight – kg 2.500

**Options:**

Second additional function for rotator  
Hydraulic stabilizers with hydraulic extension  
Electro-hydraulic proportional DANFOSS-flow control  
with proportional radio control  
Seat control with cross levers and pedals  
Glass container handling device  
Oil cooling system  
Various lifting disposals for different kinds of use



**SK**

Zdvihový moment: 12 tnm

Hydraulický dosah: 6,46 m

Otočný uhol: 360° dvoj-rotácia

Hydraulické stabilizátory s manuálnym výsuvom

Hmotnosť: cca 2500 kg

Prídavná funkcia pre rotátory

Systém ochladzovania oleja

Variabilné zdvižné dispozície pre rôzne druhy použitia

